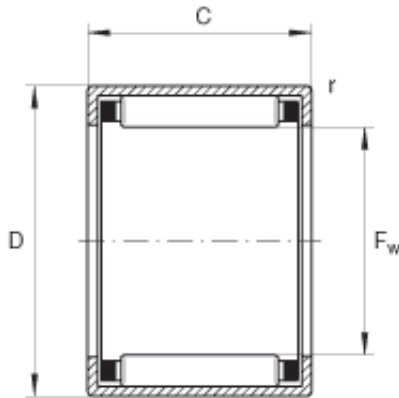




Likao Bearing Co., Ltd.



ina hk1212 bearing

Bearing No. hk1212

hk1212 Bearing 2D drawings and 3D CAD models

Size	12x18x12 mm
Bore Diameter	12 mm
Outer Diameter	18 mm
Width	12 mm
F_w	12 mm
D	18 mm
C - 12 mm / Tolerance: -0,3	12 mm / Tolerance: 0,3
r_{min}	0,8 mm
m	9 g / Weight
C_r	6500 N / Dynamic load rating (radial)
C_{0r}	7300 N / Static load rating (radial)
C_{ur}	860 N / Fatigue limit load, radial
n_G	20000 1/min / Limiting speed
n_B	13800 1/min / Reference speed
	LR8X12X12,5 / Suitable inner ring
	IR8X12X12,5 / Suitable inner ring
Category	Needle Non Thrust Roller Bearings
Inventory	0.0
Manufacturer Name	SCHAEFFLER GROUP
Minimum Buy Quantity	N/A



Likao Bearing Co., Ltd.

Weight / Kilogram	0.011
EAN	4012802617979
Product Group	B04144
Rolling Element	Needle Roller Bearing
Component	Roller Assembly with Outer Ring - No Inner Ring
Enclosure	Open
Self Aligning	No
Retainer	Yes
Number of Rows of Rollers	Single Row
Separable	No
Closed End	No
Inch - Metric	Metric
Relubricatable	No
Thrust Bearing	No
Long Description	12MM Bore; 18MM Outside Diameter; 12MM Width; Needle Roller Bearing; Roller Assembly with Outer Ring - No Inner Ring; Open Enclosure; No Self Aligning; Retainer; Single Row of Rollers; No Separable; N
Other Features	2 Rib Outer Ring Drawn Cup Bearing Steel Cage
Category	Needle Non Thrust Roller Bearing
UNSPSC	31171512
Harmonized Tariff Code	8482.40.00.00
Noun	Bearing
Keyword String	Needle
Manufacturer URL	http://www.ina.com
Manufacturer Item Number	HK1212
Weight / LBS	0.02
Bore	0.472 Inch 12 Millimeter



Likao Bearing Co., Ltd.

Outside Diameter	0.709 Inch 18 Millimeter
Width	0.472 Inch 12 Millimeter