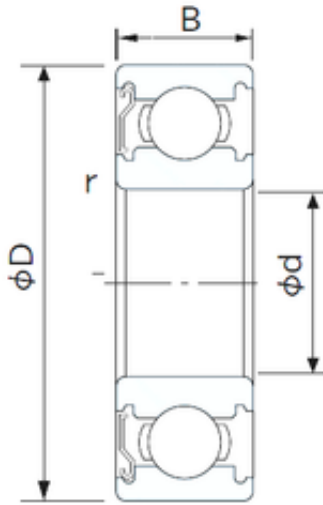




Likao Bearing Co., Ltd.



90 mm x 140 mm x 24 mm CYSD 6018-Z deep groove ball bearings

Bearing No. 6018-Z

Size	90x140x24 mm
Bore Diameter	90 mm
Outer Diameter	140 mm
Width	24 mm
d	90 mm
D	140 mm
B	24 mm
C	24 mm
r min.	1,5 mm
Weight	1,19 Kg
Basic dynamic load rating (C)	58 kN
Basic static load rating (C0)	50 kN
(Grease) Lubrication Speed	4800 r/min

6018-Z Bearing 2D drawings and 3D CAD models