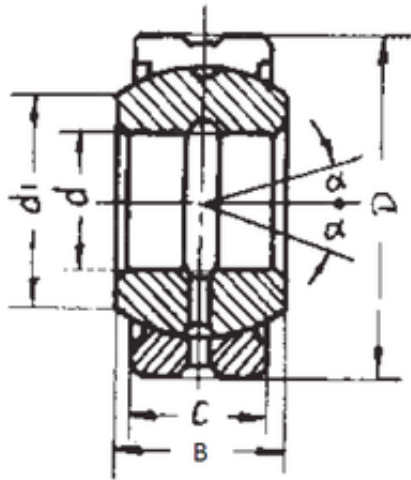




# Likao Bearing Co., Ltd.



90 mm x 130 mm x 60 mm FBJ GE90ES-2RS  
plain bearings

Bearing No. GE90ES-2RS

Size	90x130x60 mm
Bore Diameter	90 mm
Outer Diameter	130 mm
Width	60 mm
d	90 mm
D	130 mm
B	60 mm
C	50 mm
d1	98 mm
Angle	5 °
Weight	2,75 Kg
Basic dynamic load rating (C)	490 kN

GE90ES-2RS Bearing 2D drawings and 3D CAD models