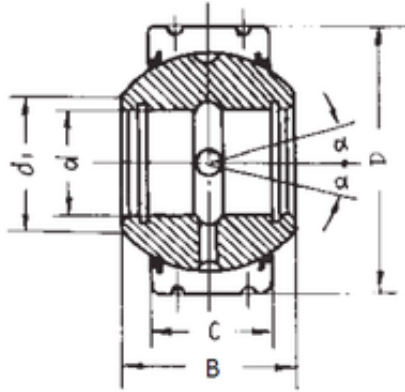




# Likao Bearing Co., Ltd.

45 mm x 100 mm x 72 mm FBJ GEK45XS-2RS  
plain bearings



Bearing No. GEK45XS-2RS

Size	45x100x72 mm
Bore Diameter	45 mm
Outer Diameter	100 mm
Width	72 mm
d	45 mm
D	100 mm
B	72 mm
C	52 mm
d1	54 mm
Angle	17 °
Weight	2,56 Kg
Basic dynamic load rating (C)	398 kN

GEK45XS-2RS Bearing 2D drawings and 3D CAD models